

LWAA8038 Series

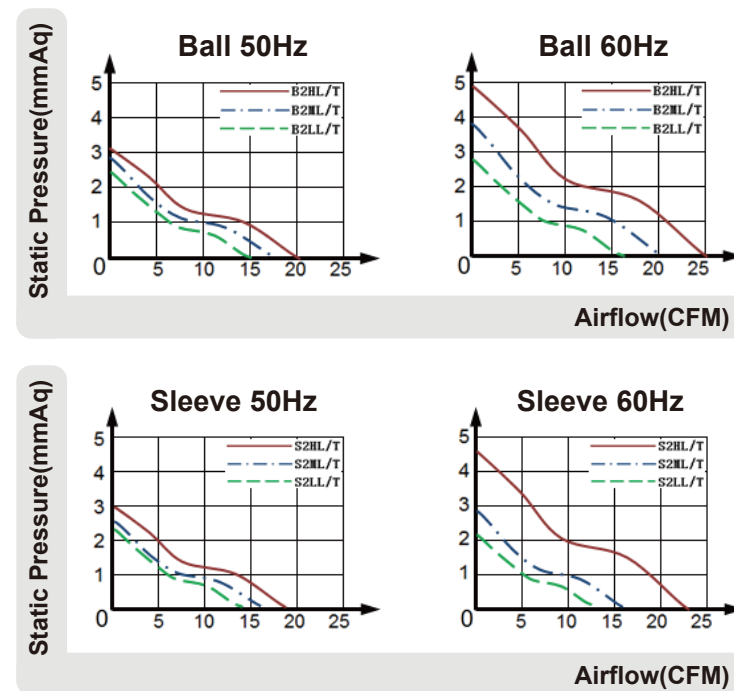
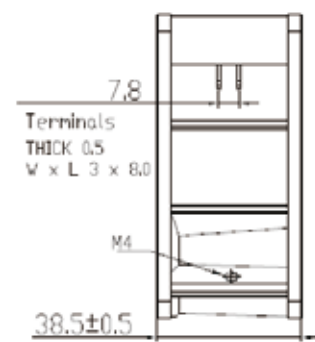
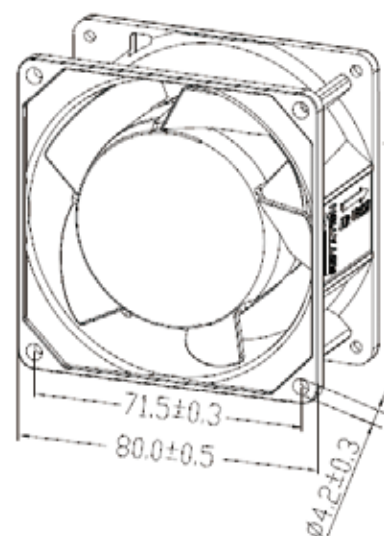
Product Characteristic

- Frame: Aluminum alloy
- Impeller: PBT Plastic
- Protected: Impedance protected
- Connection: Lead Wire or Terminals
- Ball Bearing: -20°C to +70°C
- Sleeve Bearing: -10°C to +70°C
- Package: 50PCS/CTN



Technical Specifications

Model	Bearing Type	Voltage (V)	Frequency (Hz)	Current (A)	Power (W)	Speed (RPM)	Air Flow (CFM)	Air Flow (m³/min)	Static Pressure (mm-H ₂ O)	Noise [dB(A)]
LWAA8038SH-01	Ball	220-240	50/60	0.12/0.09	17.2/12	2400/2900	20/25	0.57/0.71	3.1/4.8	34/37
LWAA8038SH-02	Ball	220-240	50/60	0.12/0.09	17.2/12	2400/2900	20/25	0.57/0.71	3.1/4.8	34/37
LWAA8038SM-03	Ball	220-240	50/60	0.05/0.04	7/5.7	2250/2400	18/20	0.54/0.63	2.8/3.7	32/34
LWAA8038SM-04	Ball	220-240	50/60	0.05/0.04	7/5.7	2250/2400	18/20	0.51/0.67	2.8/3.7	32/34
LWAA8038SL-05	Ball	220-240	50/60	0.04/0.03	6/5	2100/2150	15/16	0.51/0.57	2.4/2.8	29/30
LWAA8038SL-06	Ball	220-240	50/60	0.04/0.03	6/5	2100/2150	15/16	0.42/0.45	2.4/2.8	29/30
LWAA8038SH-07	Sleeve	220-240	50/60	0.12/0.09	17.5/12.3	2200/2750	18/23	0.42/0.45	3.0/4.6	32/35
LWAA8038SH-08	Sleeve	220-240	50/60	0.12/0.09	17.5/12.3	2200/2750	18/23	0.51/0.65	3.0/4.6	32/35
LWAA8038SM-09	Sleeve	220-240	50/60	0.05/0.04	7/5.8	2100/2100	16/16	0.51/0.65	2.5/2.8	29/29
LWAA8038SM-10	Sleeve	220-240	50/60	0.05/0.04	7/5.8	2100/2100	16/16	0.45/0.45	2.5/2.8	30/32
LWAA8038SL-11	Sleeve	220-240	50/60	0.04/0.03	6/5	1900/1800	14/13	0.40/0.37	2.3/2.1	26/25
LWAA8038SL-12	Sleeve	220-240	50/60	0.04/0.03	6/5	1900/1800	14/13	0.40/0.37	2.3/2.1	26/25



LWAA9225 Series

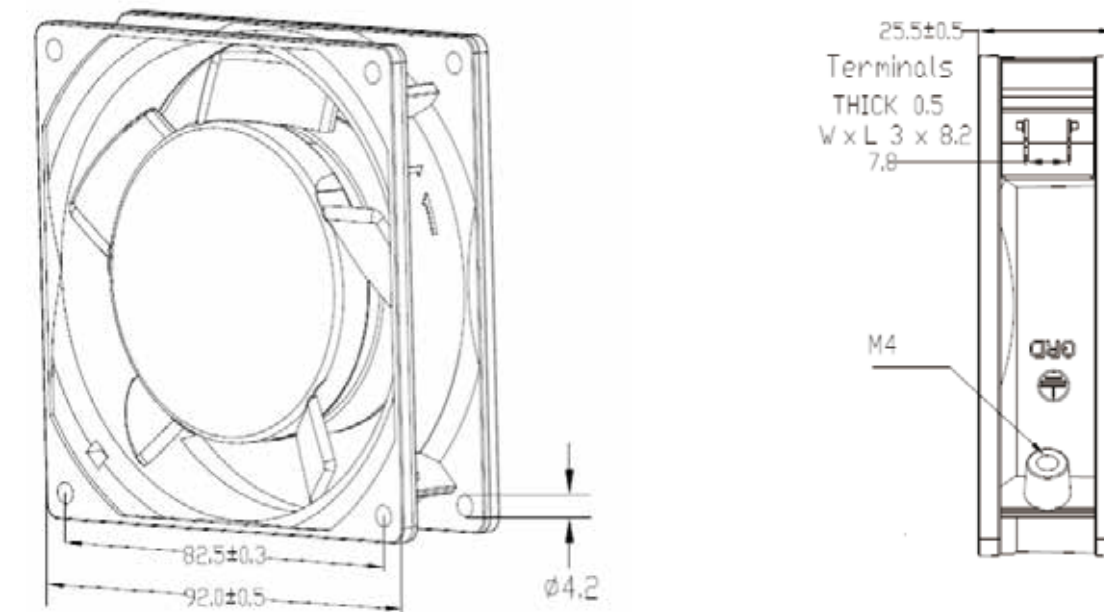
Product Characteristic

- Frame: Aluminum alloy
- Impeller: PBT Plastic
- Protected: Impedance protected
- Connection: Lead Wire or Terminals
- Ball Bearing: -20°C to +70°C
- Sleeve Bearing: -10°C to +70°C
- Package: 50PCS/CTN



Technical Specifications

Model	Bearing Type	Voltage (V)	Frequency (Hz)	Current (A)	Power (W)	Speed (RPM)	Air Flow (CFM)	Air Flow (m³/min)	Static Pressure (mm-H ₂ O)	Noise [dB(A)]
LWAA9225SH-13	Ball	220-240	50/60	0.09/0.07	14/10	2600/3000	33/40	0.93/1.13	4.2/6.1	32/46
LWAA9225SH-14	Ball	220-240	50/60	0.09/0.07	14/10	2600/3000	33/40	0.93/1.13	4.2/6.1	32/46
LWAA9225UH-13	Ball	115	50/60	0.18/0.14	14/10	2600/3000	33/40	0.93/1.13	4.2/6.1	32/46
LWAA9225UH-14	Ball	115	50/60	0.18/0.14	14/10	2600/3000	33/40	0.93/1.13	4.2/6.1	32/46



Air Flow-Static Pressure Characteristics

