

# LWAA9238 Series

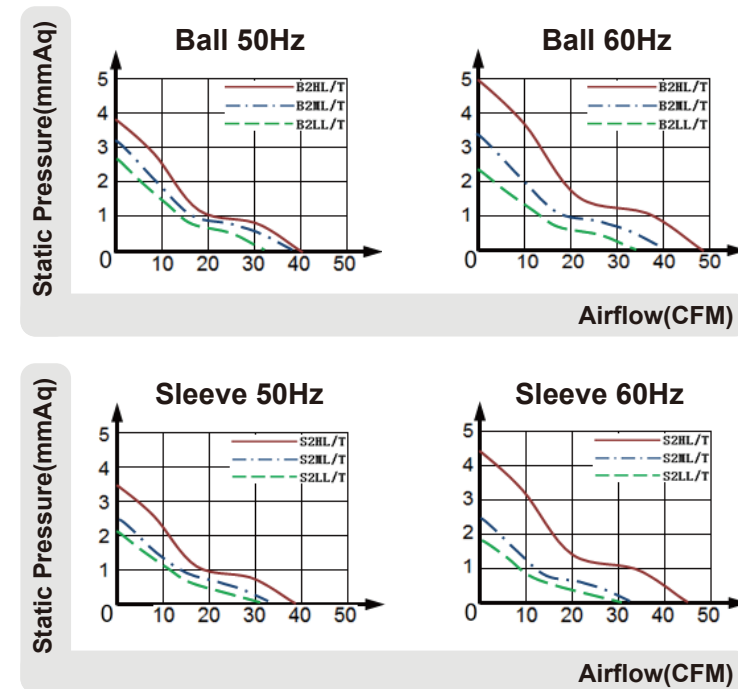
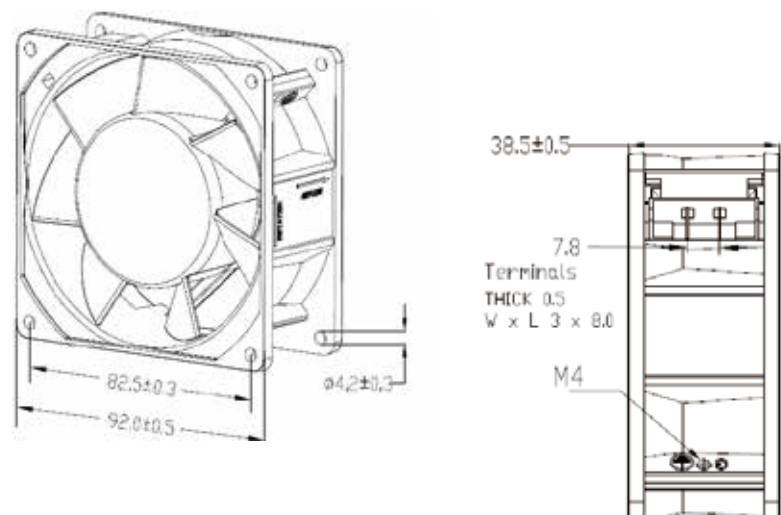
## Product Characteristic

- Frame: Aluminum alloy
- Impeller: PBT Plastic
- Protected: Impedance protected
- Connection: Lead Wire or Terminals
- Ball Bearing: -20°C to +70°C
- Sleeve Bearing: -10°C to +70°C
- Package: 50PCS/CTN



## Technical Specifications

Model	Bearing Type	Voltage (V)	Frequency (Hz)	Current (A)	Power (W)	Speed (RPM)	Air Flow (CFM)	Air Flow (m³/min)	Static Pressure (mm-H₂O)	Noise [dB(A)]
LWAA9238SH-01	Ball	220-240	50/60	0.18/0.15	14/10	2400/2800	40/48	1.13/0.36	3.8/5.0	35/38
LWAA9238SH-02	Ball	220-240	50/60	0.10/0.15	14/10	2400/2800	40/48	1.13/0.36	3.8/5.0	35/38
LWAA9238SM-03	Ball	220-240	50/60	0.05/0.04	7.5/6	2200/2350	38/40	1.08/1.13	3.2/3.3	33/35
LWAA9238SM-04	Ball	220-240	50/60	0.05/0.04	7.5/6	2200/2350	38/40	1.08/1.13	3.2/3.3	33/35
LWAA9238SL-05	Ball	220-240	50/60	0.04/0.04	6.5/5.5	2050/2100	33/34	0.93/0.96	2.7/2.3	29/30
LWAA9238SL-06	Ball	220-240	50/60	0.04/0.04	6.5/5.5	2050/2100	33/34	0.93/0.96	2.7/2.3	29/30
LWAA9238SH-07	Sleeve	220-240	50/60	0.10/0.07	14/10	2250/2650	38/45	1.08/1.27	3.5/4.4	33/37
LWAA9238SH-08	Sleeve	220-240	50/60	0.10/0.07	14/10	2250/2650	38/45	1.08/1.27	3.5/4.4	33/37
LWAA9238SM-09	Sleeve	220-240	50/60	0.05/0.04	7.5/6	2000/2000	33/33	0.93/0.93	2.4/2.4	29/29
LWAA9238SM-10	Sleeve	220-240	50/60	0.05/0.04	7.5/6	2000/2000	33/33	0.93/0.93	2.4/2.4	29/29
LWAA9238SL-11	Sleeve	220-240	50/60	0.04/0.04	6.5/5.5	1900/1800	32/30	0.90/0.85	2.1/1.8	28/27
LWAA9238SL-12	Sleeve	220-240	50/60	0.04/0.04	6.5/5.5	1900/1800	32/30	0.90/0.85	2.1/1.8	28/27



# LWAA11025 Series

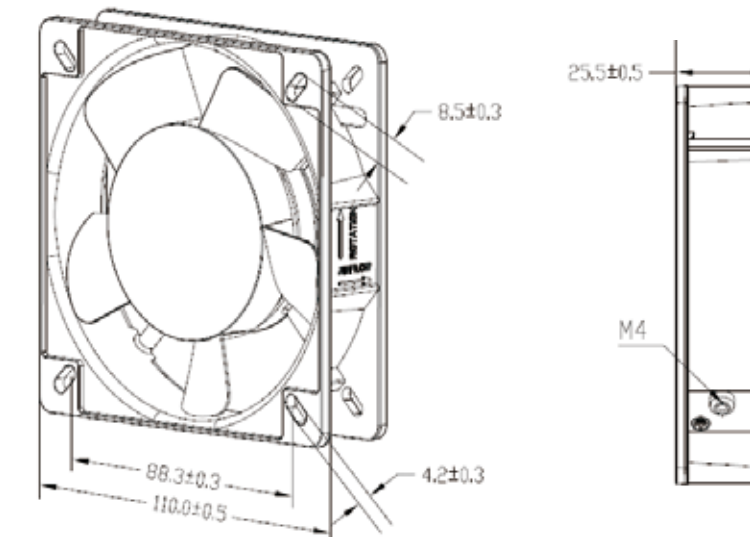
## Product Characteristic

- Frame: Aluminum alloy
- Impeller: PBT Plastic
- Protected: Impedance protected
- Connection: Lead Wire
- Ball Bearing: -20°C to +70°C
- Sleeve Bearing: -10°C to +70°C
- Package: 40PCS/CTN



## Technical Specifications

Model	Bearing Type	Voltage (V)	Frequency (Hz)	Current (A)	Power (W)	Speed (RPM)	Air Flow (CFM)	Air Flow (m³/min)	Static Pressure (mm-H₂O)	Noise [dB(A)]
LWAA11025UH-01	Ball	115	50/60	0.18/0.15	16/13	2250/2550	47/51	1.33/1.44	3.5/4.3	33/36
LWAA11025UM-02	Ball	115	50/60	0.12/0.10	10.3/8.6	2100/2200	43/46	1.22/1.30	3.1/3.0	32/33
LWAA11025UL-03	Ball	115	50/60	0.09/0.08	8.1/6.8	2000/2000	42/42	1.20/1.20	2.7/2.4	31/31
LWAA11025UH-04	Sleeve	115	50/60	0.17/0.16	16/14.3	2100/2300	46/46	1.30/1.30	3.2/3.5	32/34
LWAA11025UM-05	Sleeve	115	50/60	0.12/0.10	10.5/8.8	2000/2000	43/43	1.22/1.22	2.6/2.3	31/31
LWAA11025UL-06	Sleeve	115	50/60	0.09/0.08	8.1/7	1850/1750	42/38	1.20/1.08	2.4/1.9	28/27



## Air Flow-Static Pressure Characteristics

