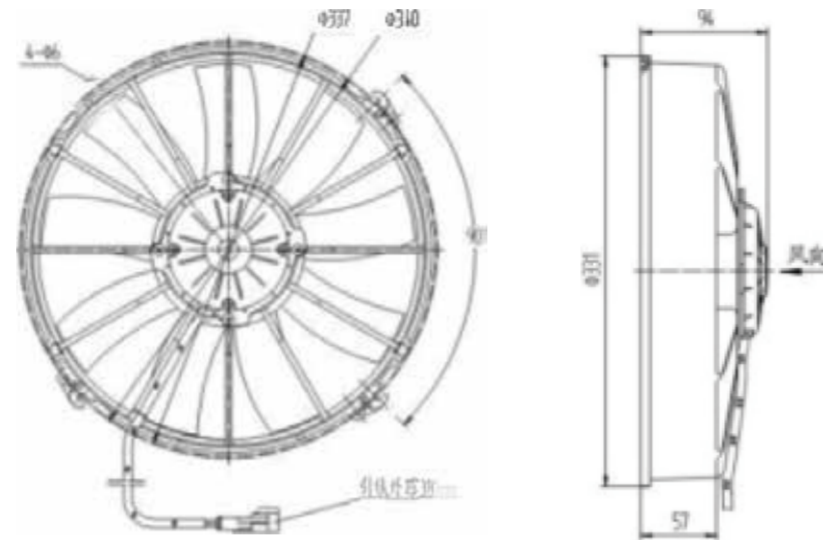


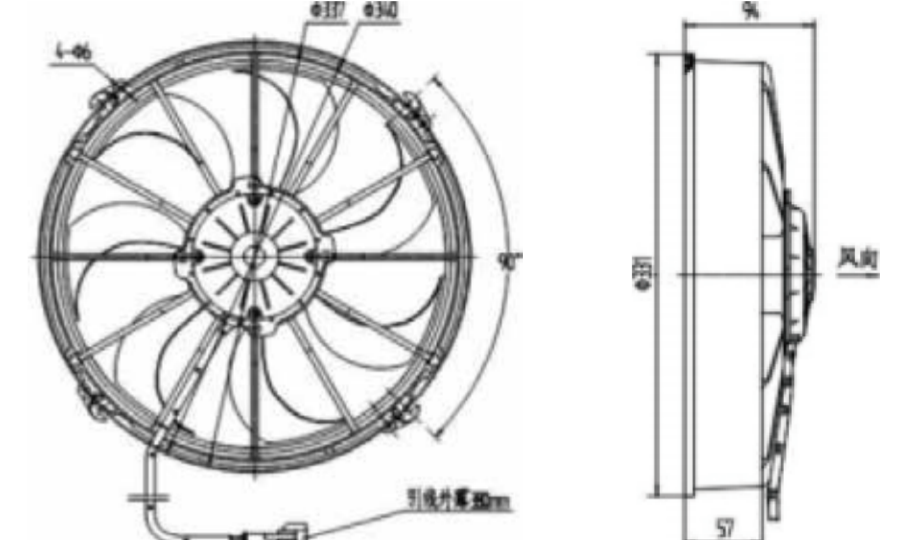
LWCC-DC305



Technical Specifications

Model	Airflow (m³/h)	Static Pressure (Pa)	Voltage (V)	Current (A)	Speed (rpm)	Remarks
LWCC-DC305LB-05	2200	100	12	≤18	≥2650	Φ305Blowing
LWCC-DC305MB-06	2200	100	24	≤9	≥2650	Φ305Blowing

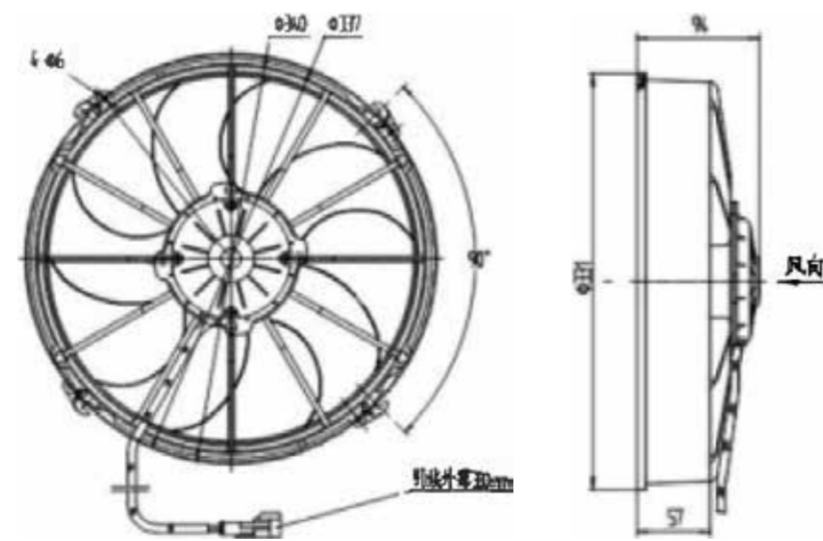
LWCC-DC305



Technical Specifications

Model	Airflow (m³/h)	Static Pressure (Pa)	Voltage (V)	Current (A)	Speed (rpm)	Remarks
LWCC-DC305LS-09	2000	100	12	≤18	≥3200	Φ305Suction
LWCC-DC305MS-10	2000	100	24	≤9	≥3200	Φ305Suction

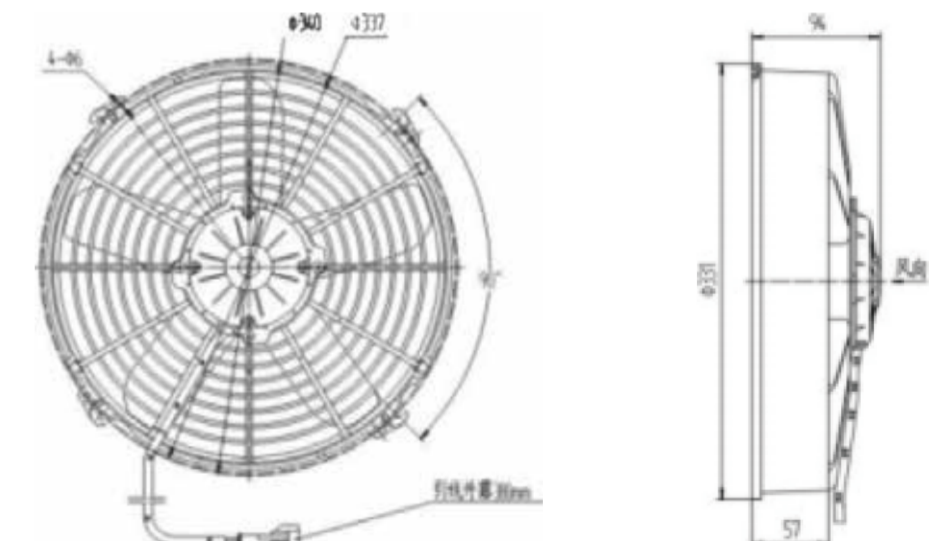
LWCC-DC305



Technical Specifications

Model	Airflow (m³/h)	Static Pressure (Pa)	Voltage (V)	Current (A)	Speed (rpm)	Remarks
LWCC-DC305LB-07	2200	100	12	≤20	≥3200	Φ305Blowing
LWCC-DC305MB-08	2200	100	24	≤10	≥3200	Φ305Blowing

LWCC-DC305



Technical Specifications

Model	Airflow (m³/h)	Static Pressure (Pa)	Voltage (V)	Current (A)	Speed (rpm)	Remarks
LWCC-DC305LB-11	2200	100	12	≤20	≥3200	Φ305Blowing
LWCC-DC305MB-12	2200	100	24	≤10	≥3200	Φ305Blowing