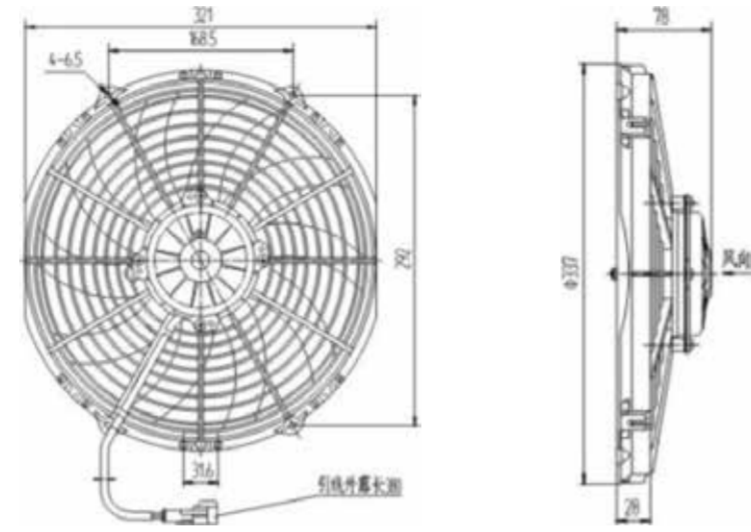


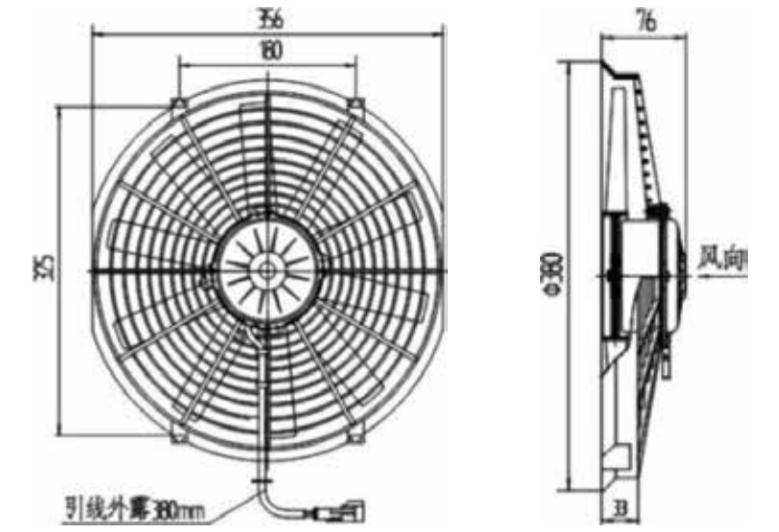
## LWCC-DC305



### Technical Specifications

Model	Airflow (m³/h)	Static Pressure (Pa)	Voltage (V)	Current (A)	Speed (rpm)	Remarks
LWCC-DC305LB-17	1400	100	12	≤16	≥2700	Φ305Blowing
LWCC-DC305MB-18	1400	100	24	≤8	≥2700	Φ305Blowing

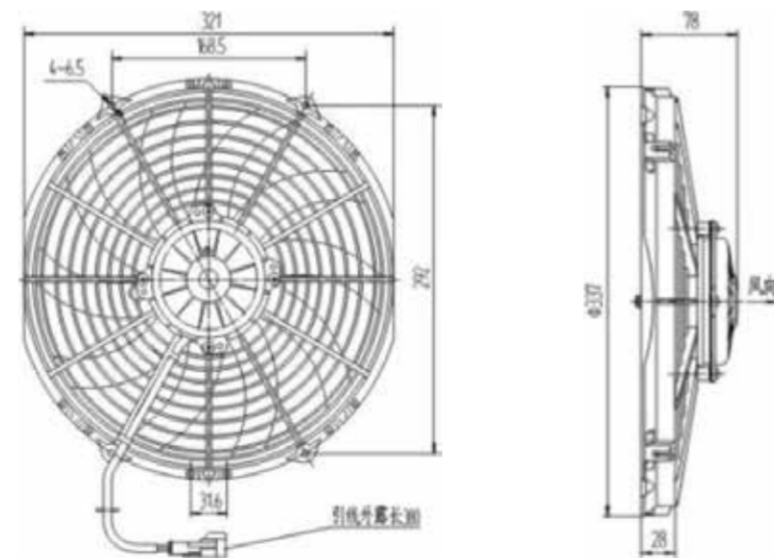
## LWCC-DC327



### Technical Specifications

Model	Airflow (m³/h)	Static Pressure (Pa)	Voltage (V)	Current (A)	Speed (rpm)	Remarks
LWCC-DC327LB-01	1200	100	12	≤14	≥2800	Φ327Blowing
LWCC-DC327MB-02	1200	100	24	≤7	≥2800	Φ327Blowing

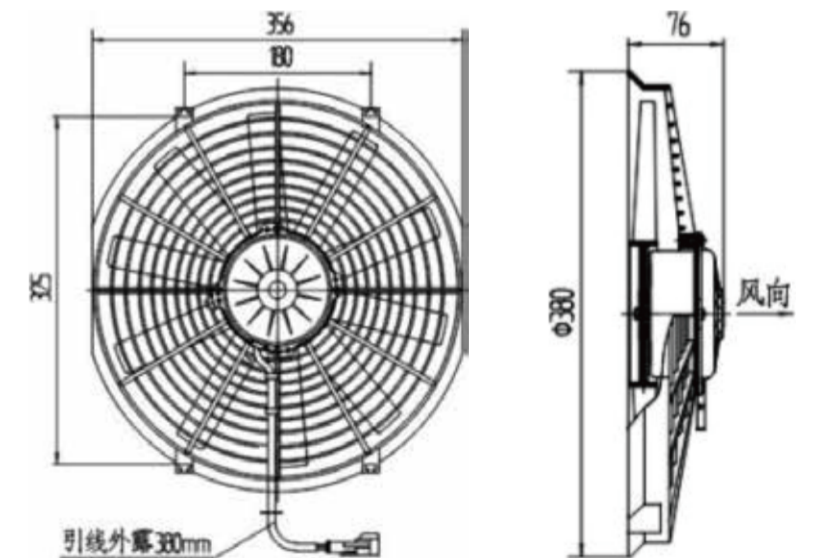
## LWCC-DC305



### Technical Specifications

Model	Airflow (m³/h)	Static Pressure (Pa)	Voltage (V)	Current (A)	Speed (rpm)	Remarks
LWCC-DC305LS-19	1200	100	12	≤16	≥2700	Φ305Suction
LWCC-DC305MS-20	1200	100	24	≤8	≥2700	Φ305Suction

## LWCC-DC327



### Technical Specifications

Model	Airflow (m³/h)	Static Pressure (Pa)	Voltage (V)	Current (A)	Speed (rpm)	Remarks
LWCC-DC327LS-03	1200	50	12	≤14	≥2800	Φ327Suction
LWCC-DC327MS-04	1200	50	24	≤7	≥2800	Φ327Suction