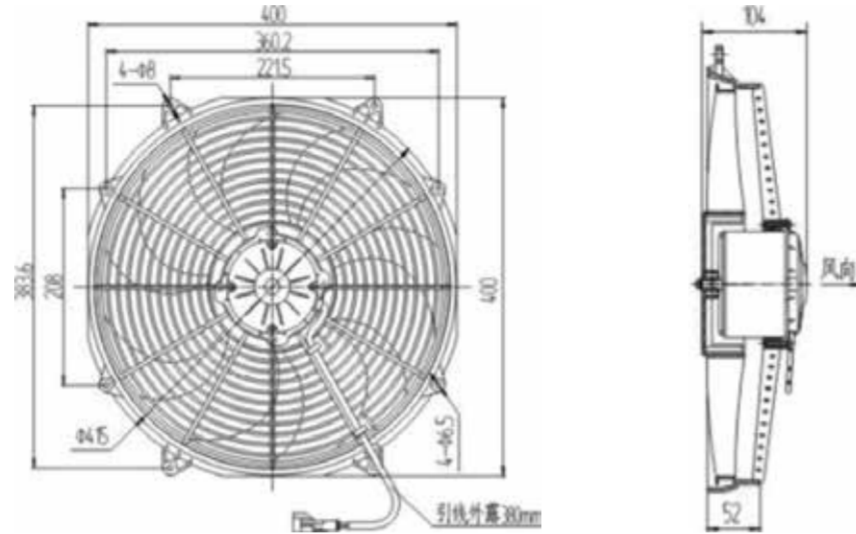


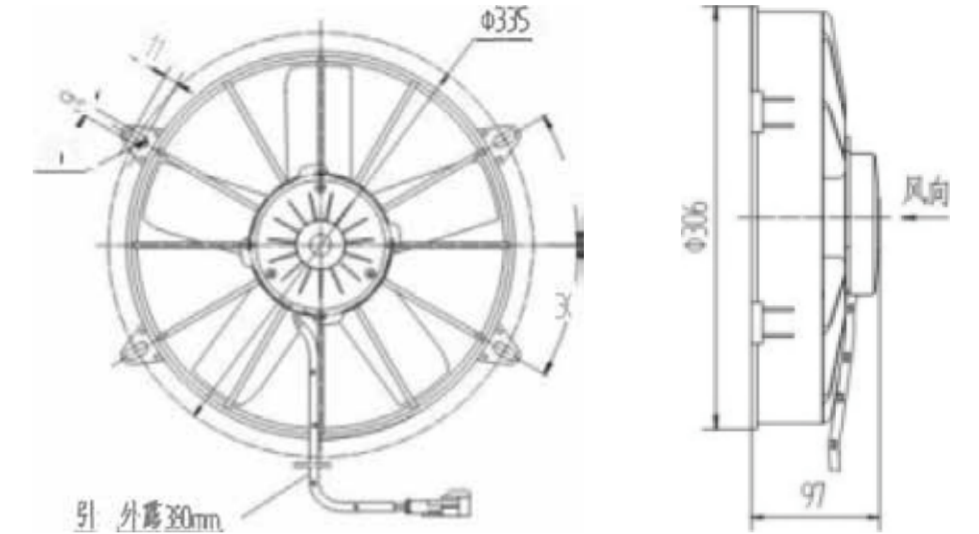
LWCC-DC385



Technical Specifications

Model	Airflow (m³/h)	Static Pressure (Pa)	Voltage (V)	Current (A)	Speed (rpm)	Remarks
LWCC-DC385LS-05	2500	100	12	23	≥2500	Φ385Suction
LWCC-DC385MS-06	2500	100	24	11	≥2500	Φ385Suction

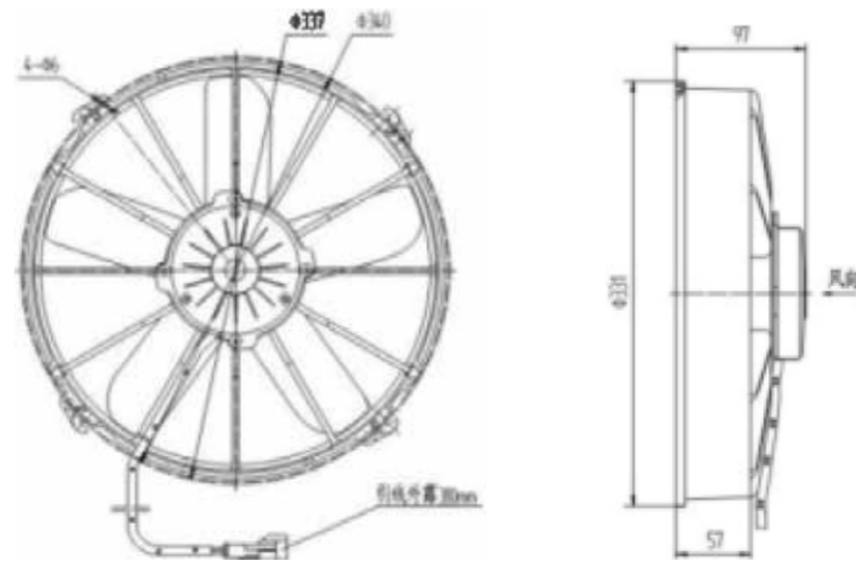
LWCC-DC280



Technical Specifications

Model	Airflow (m³/h)	Static Pressure (Pa)	Voltage (V)	Current (A)	Speed (rpm)	Remarks
LWCC-DC280LB-17	1800	100	12	≤16	≥3200	Φ280Blowing
LWCC-DC280MB-18	1800	100	24	≤8	≥3200	Φ280Blowing

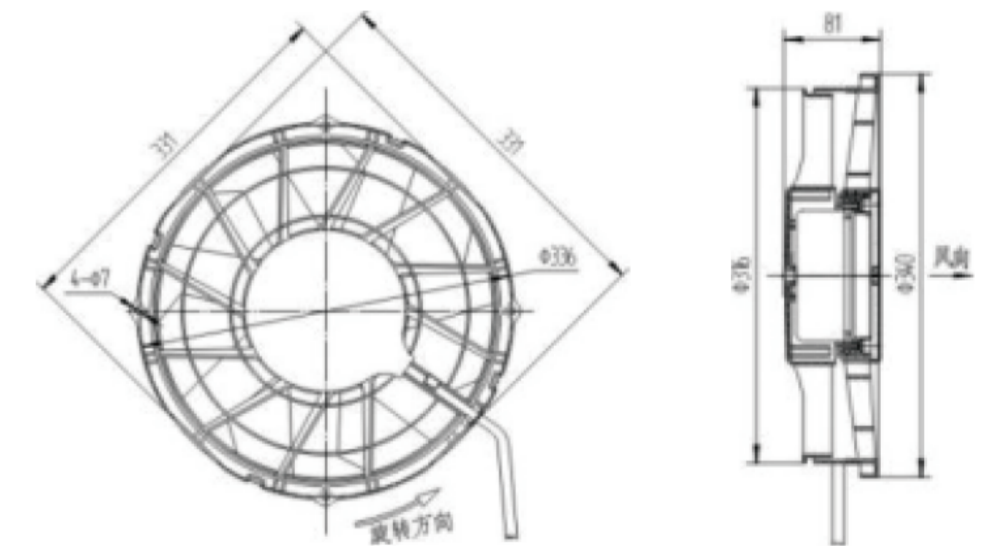
LWCC-DC305



Technical Specifications

Model	Airflow (m³/h)	Static Pressure (Pa)	Voltage (V)	Current (A)	Speed (rpm)	Remarks
LWCC-DC305LB-21	2200	100	12	≤20	≥3200	Φ305Blowing
LWCC-DC305MB-22	2200	100	24	≤10	≥3200	Φ305Blowing

LWCC-DC316



Technical Specifications

Model	Airflow (m³/h)	Static Pressure (Pa)	Voltage (V)	Current (A)	Speed (rpm)	Remarks
LWCC-DC316LS-03	2400	100	12	≤18	≥3200	Φ316Suction
LWCC-DC316MS-04	2400	100	24	≤9	≥3200	Φ316Suction