

LWFD12032 Series

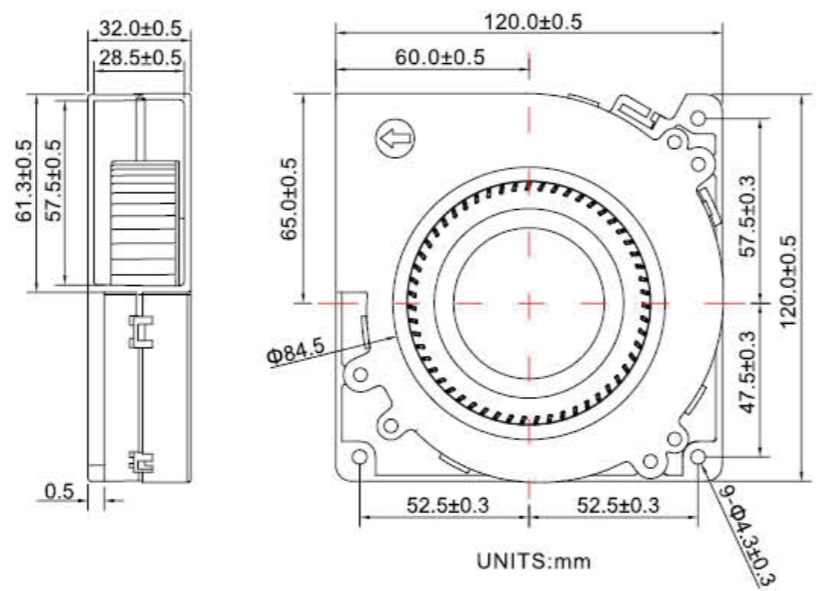
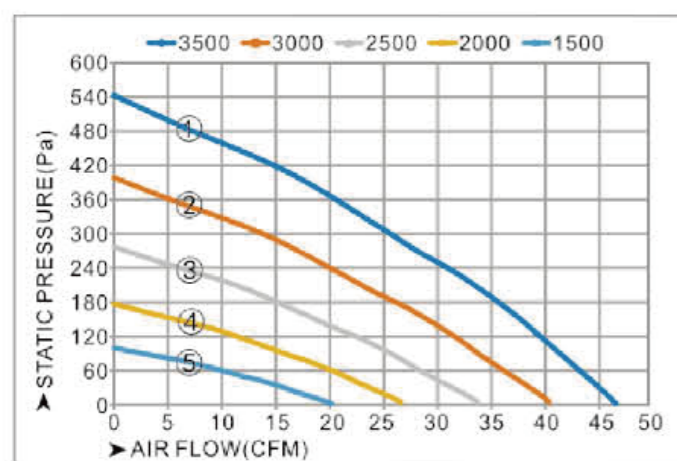
Product Characteristic

- Material: Frame: Plastic(UL94-VO) Impeller: Plastic(UL94-VO)
- Voltage: 12VDC(6~13.8VDC),24VDC(12~27.6VDC),48VDC(24~56VDC)
- Temperature: Operation Temperature: -10~70°C(Non-condensing)
- Specials: AS, RD, FG, PWM, Temperature Control, IP56



Technical Specifications

Model	Voltage	Current	Speed	Air Volume		Static Pressure			Noise	Weight	Curve
	V	A	RPM	CFM	m ³ /min	mm-H2O	Inch-H2O	Pa	dBA	g	
LWFD12032LX-01	12	2	3500	47	1.33	58.2	2.29	570	57	268g	①
LWFD12032LH-02	12	1	3000	40.3	1.14	42.7	1.68	419	53.7	268g	②
LWFD12032LM-03	12	0.7	2500	33.5	0.95	29.7	1.17	291	49.7	268g	③
LWFD12032LL-04	12	0.5	2000	26.8	0.76	19	0.75	186	44.8	268g	④
LWFD12032LD-05	12	0.3	1500	20.1	0.57	10.7	0.42	105	38.6	268g	⑤
LWFD12032MX-01	24	1	3500	47	1.33	58.2	2.29	570	57	268g	①
LWFD12032MH-02	24	0.6	3000	40.3	1.14	42.7	1.68	419	53.7	268g	②
LWFD12032MM-03	24	0.4	2500	33.5	0.95	29.7	1.17	291	49.7	268g	③
LWFD12032ML-04	24	0.35	2000	26.8	0.76	19	0.75	186	44.8	268g	④
LWFD12032MD-05	24	0.2	1500	20.1	0.57	10.7	0.42	105	38.6	268g	⑤
LWFD12032HX-01	48	0.5	3500	47	1.33	58.2	2.29	570	57	268g	①
LWFD12032HH-02	48	0.3	3000	40.3	1.14	42.7	1.68	419	53.7	268g	②
LWFD12032HM-03	48	0.25	2500	33.5	0.95	29.7	1.17	291	49.7	268g	③
LWFD12032HL-04	48	0.2	2000	26.8	0.76	19	0.75	186	44.8	268g	④
LWFD12032HD-05	48	0.15	1500	20.1	0.57	10.7	0.42	105	38.6	268g	⑤



EC Axial Flow Fan

Professional HVAC Fan & Motors Manufacturer

