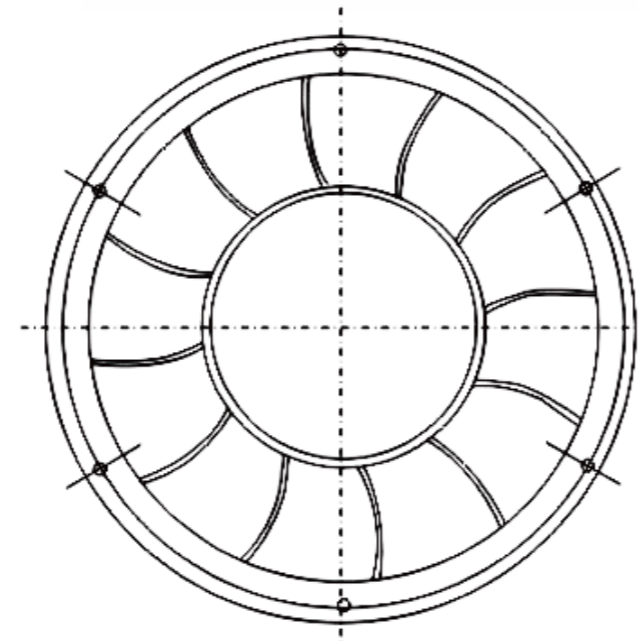
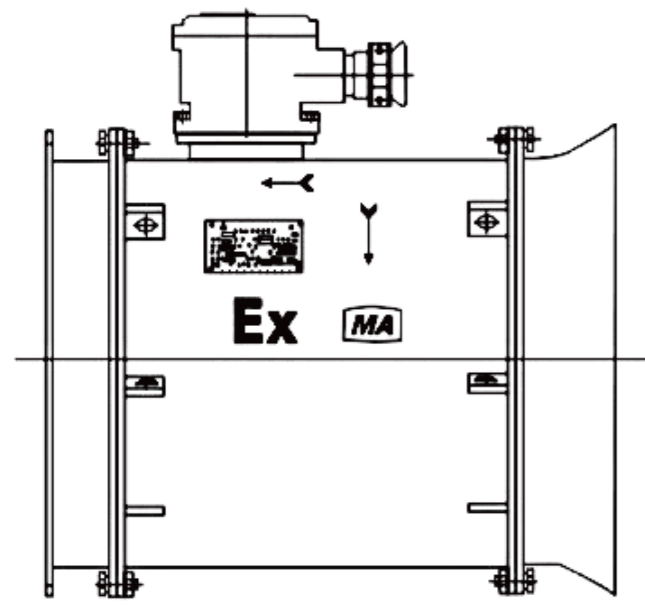


Mining Flame-proof Axial Local Fan

Product Characteristic

Coal mine explosion in the axial local fan, mainly is suitable for the contains gas or coal dust explosive gases dangerous dig in underground coal mines. Into the face ventilated take a breath, is to ensure that the mining face in good working environment and protect health workers. At the same time with Designated by the state inspection qualified explosion-proof motors.



Parameter table

Model	Voltage (v)	Air Pressure (Pa)	Air volume (m ³ /min)	Total pressure efficiency(%)	Noise [dB(A)]	Impeller diameter (mm)	Operating mode	Dimensions (mm)
LWMFAF265-01	380	750-350	40-84	78	87	Ø265	Continuous	465×325×420
LWMFAF315-01	380	1050-380	55-101	80	87	Ø315	Continuous	568×360×430
LWMFAF400-01	380/660	1390-880	85-164	80	90	Ø400	Continuous	610×380×450
LWMFAF400-02	380/660	1700-800	90-180	81.5	89	Ø400	Continuous	645×465×540
LWMFAF500-01	380/660	2250-880	130-240	80	91	Ø500	Continuous	694×585×662
LWMFAF560-01	380/660	3180-910	195-330	80	95	Ø560	Continuous	845×650×725
LWMFAF560-02	380/660	3315-950	240-380	80	95	Ø560	Continuous	909×650×725
LWMFAF630-01	380/660	3690-1100	250-455	80	95	Ø630	Continuous	1026×720×901